

# ERHARDT T<sup>INTEGRAL</sup> TERRACE ROOF



**ERHARDT T<sup>INTEGRAL</sup> TERRACE ROOF**  
TERRACE ROOF WITH A MODERN  
CONTEMPORARY DESIGN AND CLEVER  
TECHNOLOGY



Mehr. Freude. Leben. Zuhause.





## ERHARDT T<sup>INTEGRAL</sup> TERRACE ROOF MODERN, ELEGANT ROOF DESIGN

The ERHARDT T<sup>INTEGRAL</sup> terrace roof stands out thanks to its architecturally appealing design, ultra-high stability and durability. Cleverly designed right down to the smallest details, the ERHARDT T<sup>INTEGRAL</sup> has a modern, square look without a roof overhang and with an integrated gutter to create a harmonious overall feel. All technical components are concealed and elegant cover profiles make screws, nuts and installation grooves invisible, giving the terrace roof a smooth feel as if it had been cast from a single mould. An awning from the ERHARDT range will give you optimum sun and visual protection, as all ERHARDT products are carefully designed to complement each other perfectly so that you can make your dream veranda a reality.

# ERHARDT T<sup>INTEGRAL</sup> TERRACE ROOF

## ONE PRODUCT – MANY OPTIONS

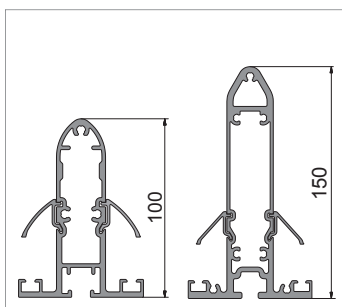


### Design

With a linear, modern and elegant design, the T<sup>INTEGRAL</sup> terrace roof fits perfectly into the architecture of your house. The rafters, wall connector and front gutter are designed to complement each other and the profiles have been rounded and chamfered to make the load-bearing profiles as unobtrusive as possible, with the result that the roof comes together in one harmonious whole.

### Concealed drainage

The water drain has been cleverly integrated into the post: rainwater is channelled through the gutter into the drainpipe integrated into the post. If the integrated drainpipe needs to be cleaned, a clip system makes opening the front profile quick and easy. Concealed drainage is integrated in the profile under the side gutter and wall connector cover without requiring obtrusive end caps.



### Two different rafters

Two different rafter heights are available depending on the circumstances and static requirements. As standard, both rafters come with channels for fitting lighting and discreetly attaching awnings.

### Can be expanded at any time

ERHARDT also supplies protective glass elements, such as windows and sliding/non-sliding doors, which can be added to a terrace roof at any time to create a conservatory that gives you complete protection from wind and weather. Plus, ERHARDT conservatory and vertical awnings give you perfect sun and visual protection tailored to your terrace roof .

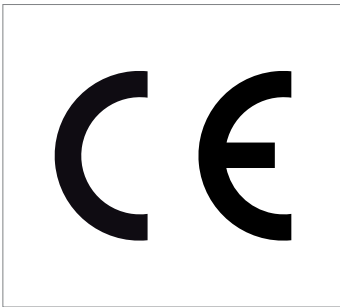
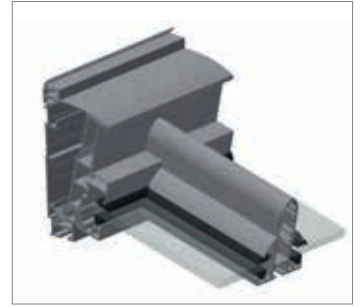


### Additional features

An additional LED lighting pack and heating element from ERHARDT, available with manual or remote control, allow you to create the comfort and ambience that's right for you in your veranda.

### **New, multi-piece wall connector technology**

The new, multi-piece wall connector forms the perfect seal and offers maximum versatility. The wall connector has a cascading design with three layers of concealed drainage to prevent water ingress. An intelligent design, including grooves for LED lighting and attaching supports, makes mounting easy and gives you full flexibility.






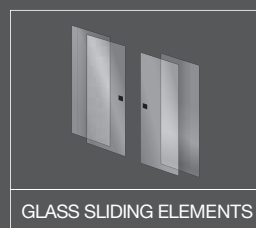
### **CE Made in Germany**

All ERHARDT Markisenbau products are made in Burtenbach, Bavaria. All-round service and continuous production control guarantee high quality.



# THE RIGHT ERHARDT AWNING AT A GLANCE

|  | ERHARDT TM   | ERHARDT HS  | ERHARDT WG   |
|--|--|---|--|
|  |   |   |   |
| Mounting types                             | On-roof mounting<br>Under-roof mounting  | On-roof mounting  | On-roof mounting   |
| Maximum dimensions<br>(width x projection) | Under-roof mounting:<br>600 x 450 cm<br>On-roof mounting:<br>500 x 400 cm  | 650 x 600 cm  | 500 x 450 cm<br>600 x 400 cm   |
| Means of installation                      | 2 side rails on spacers (75-500 mm high)   | 2 side rails on spacers (85-500 mm high)  | 2 laterally adjustable rails for direct mounting below the fabric  |
| Areas of application                       | Terrace Roofs<br>Conservatories<br>Skylight windows<br>Domed skylights   | Conservatories<br>Terrace Roofs<br>Domed skylights<br>Skylight windows  | Conservatories<br>Terrace Roofs<br>Skylight windows<br>Domed skylights   |
| Coupling type                              | Series mounting of several units is only possible with separate motors for each unit.  | max. 2-piece:<br>2 awnings controlled by one motor; awnings connected by double rail;<br>can be mounted in series   | several units can be mounted in series: one motor always required per awning   |
| Overhang                                   | Rails at front:<br>max. 100 cm   | Rails at front: max. 100 cm   | Rails at front:<br>max. 120 cm<br>Lateral offset:<br>max. 120 cm per side  |
| Special features                           | <ul style="list-style-type: none"> <li>• Motorised as standard and with zip technology</li> <li>• Spacers of different heights available</li> <li>• Auxiliary bracket for under-roof mounting</li> </ul> | <ul style="list-style-type: none"> <li>• Very robust, perfect for larger areas</li> <li>• 1 to 4-piece can be coupled with special double rail</li> </ul> | <ul style="list-style-type: none"> <li>• Rails can be offset inwards for special applications (projection on the sides)</li> <li>• Elegant appearance</li> <li>• Awning fabric in welding adhesive technology</li> </ul> |



Extending Outdoors Ltd  
Unit 8, Wilton Business Centre  
Kingsway  
Wilton  
Salsbury  
Wilts  
SP2 0AH  
Tel 01722 444590  
Mobile 07718 180511  
Freephone 0808 1689226

Your ERHARDT specialised partner

For more information, see  
[www.erhardt-markisen.com](http://www.erhardt-markisen.com)



Mehr. Freude. Leben. Zuhause.